

● 主要数据 Main technical data:

认证 Certification | 防爆标志 Ex mark | 符合标准 Meet the standard

China (PCEC Ex)	Ex e II C Gb	DIP A21 TA	GB3836	GB12476
IECEX			IEC60079	
ATEX			EN60079	

适用范围: 用于 1 区和 2 区  
用于 21 区和 22 区

Intended use: Can be used in zone 1 and zone 2  
Can be used in zone 21 and zone 22

使用环境温度:  $-40^{\circ}\text{C} \leq \text{Ta} < 110^{\circ}\text{C}$

Ambient temperature:  $-40^{\circ}\text{C} \leq \text{Ta} < 110^{\circ}\text{C}$

防护等级: IP66

Degree of protection: IP66

材 料: 铜制表面镀镍  
304 不锈钢

Material: nickel plated brass  
304 Stainless steel

● 订购规格 Order specifications:

铜制表面镀镍 Nickel plated brass

图 样 Illustration	编码 Code	入口螺纹 Entry thread	电缆直径 Cable diameter		L	L1	SW	钢带厚度C Armour wire thickness C	订购号 Order No.
			A	B					
	G01B	M20 × 1.5	6-8.5	8-13.5	81	15	32	0.85	<b>CZ0226B 2015 e001</b>
	G02B	M25 × 1.5	8-12.5	11.5-16	81	15	32	0.85	<b>CZ0226B 2515 e002</b>
	G03B	M25 × 1.5	9-12.5	15-21	81	15	37	0.9	<b>CZ0226B 2515 e003</b>
	G04B	M32 × 1.5	12-19	20.5-27.5	90	15	44	1.25	<b>CZ0226B 3215 e004</b>
	G05B	M40 × 1.5	18.5-25	26-34	96	16	53	1.40	<b>CZ0226B 4016 e005</b>
	G06B	M50 × 1.5	25-31.5	31-40.5	96	16	62	1.40	<b>CZ0226B 5016 e006</b>
	G07B	M50 × 1.5	30.5-38	36.5-46.5	100	16	67	1.40	<b>CZ0226B 5016 e007</b>
	G08B	M63 × 1.5	35.5-42.5	43-53	113	19	81	1.40	<b>CZ0226B 6319 e008</b>
	G09B	M63 × 1.5	40-50	49-59.5	113	19	86	1.50	<b>CZ0226B 6319 e009</b>
	G10B	M75 × 1.5	47-56	58-66	120	20	92	1.50	<b>CZ0226B 7520 e010</b>
	G11B	M75 × 1.5	53-62	60.5-72	120	20	99	1.50	<b>CZ0226B 7520 e011</b>
	G12B	M80 × 1.5	59-68	65-78.5	122	20	106	1.50	<b>CZ0226B 8020 e012</b>
	G41B	G1/2"	6-8.5	8-13.5	81	15	32	0.85	<b>CZ0226B 2015 e041</b>
	G42B	G3/4"	8-12.5	11.5-16	81	15	32	0.85	<b>CZ0226B 2515 e042</b>
	G43B	G3/4"	9-12.5	15-21	81	15	37	0.9	<b>CZ0226B 2515 e043</b>
	G44B	G1"	12-19	20.5-27.5	90	15	44	1.25	<b>CZ0226B 3215 e044</b>
	G45B	G1 1/4"	18.5-25	26-34	96	16	53	1.40	<b>CZ0226B 4016 e045</b>
	G46B	G1 1/2"	25-31.5	31-40.5	96	16	62	1.40	<b>CZ0226B 5016 e046</b>
	G47B	G1 1/2"	30.5-38	36.5-46.5	100	16	67	1.40	<b>CZ0226B 5016 e047</b>
	G48B	G2"	35.5-42.5	43-53	113	19	81	1.40	<b>CZ0226B 6319 e048</b>
	G49B	G2 1/2"	40-50	49-59.5	113	19	86	1.50	<b>CZ0226B 7519 e049</b>
	G50B	G2 1/2"	47-56	58-66	120	20	92	1.50	<b>CZ0226B 7520 e050</b>
	G51B	G3"	53-62	60.5-72	120	20	99	1.50	<b>CZ0226B 8020 e051</b>
	G52B	G3"	59-68	65-78.5	122	20	106	1.50	<b>CZ0226B 8020 e052</b>
	G71B	NPT1/2"	6-8.5	8-13.5	81	15	32	0.85	<b>CZ0226B 2015 e071</b>
	G72B	NPT3/4"	8-12.5	11.5-16	81	15	32	0.85	<b>CZ0226B 2515 e072</b>
	G73B	NPT3/4"	9-12.5	15-21	81	15	37	0.9	<b>CZ0226B 2515 e073</b>
	G74B	NPT1"	12-19	20.5-27.5	90	15	44	1.25	<b>CZ0226B 3215 e074</b>
	G75B	NPT1 1/4"	18.5-25	26-34	96	16	53	1.40	<b>CZ0226B 4016 e075</b>
	G76B	NPT1 1/2"	25-31.5	31-40.5	96	16	62	1.40	<b>CZ0226B 5016 e076</b>
	G77B	NPT1 1/2"	30.5-38	36.5-46.5	100	16	67	1.40	<b>CZ0226B 5016 e077</b>
	G78B	NPT2"	35.5-42.5	43-53	113	19	81	1.40	<b>CZ0226B 6319 e078</b>
G79B	NPT2 1/2"	40-50	49-59.5	113	19	86	1.50	<b>CZ0226B 7519 e079</b>	
G80B	NPT2 1/2"	47-56	58-66	120	20	92	1.50	<b>CZ0226B 7520 e080</b>	
G81B	NPT3"	53-62	60.5-72	120	20	99	1.50	<b>CZ0226B 8020 e081</b>	
G82B	NPT3"	59-68	65-78.5	122	20	106	1.50	<b>CZ0226B 8020 e082</b>	

● 注: 如有其它型式的订购规格, 详见第 59 页型号含义

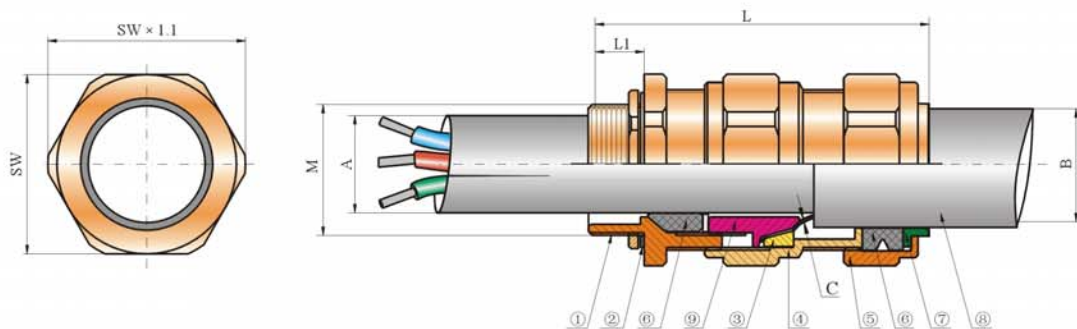
Note: if you have any other type of the specifications of the order : Pls see page 59 Model implication

● 订购规格 Order specifications:

304 不锈钢 304 Stainless steel

图样 Illustration	编码 Code	入口螺纹 Entry thread	电缆直径 Cable diameter		L	L1	SW	钢带厚度C Armour wire thickness C	订购号 Order No.
			A	B					
	G01BG	M20 × 1.5	6-8.5	8-13.5	81	15	32	0.85	CZ0226B 2015 e001G
	G02BG	M25 × 1.5	8-12.5	11.5-16	81	15	32	0.85	CZ0226B 2515 e002G
	G03BG	M25 × 1.5	9-12.5	15-21	81	15	37	0.9	CZ0226B 2515 e003G
	G04BG	M32 × 1.5	12-19	20.5-27.5	90	15	44	1.25	CZ0226B 3215 e004G
	G05BG	M40 × 1.5	18.5-25	26-34	96	16	53	1.40	CZ0226B 4016 e005G
	G06BG	M50 × 1.5	25-31.5	31-40.5	96	16	62	1.40	CZ0226B 5016 e006G
	G07BG	M50 × 1.5	30.5-38	36.5-46.5	100	16	67	1.40	CZ0226B 5016 e007G
	G08BG	M63 × 1.5	35.5-42.5	43-53	113	19	81	1.40	CZ0226B 6319 e008G
	G09BG	M63 × 1.5	40-50	49-59.5	113	19	86	1.50	CZ0226B 6319 e009G
	G10BG	M75 × 1.5	47-56	58-66	120	20	92	1.50	CZ0226B 7520 e010G
	G11BG	M75 × 1.5	53-62	60.5-72	120	20	99	1.50	CZ0226B 7520 e011G
	G12BG	M80 × 1.5	59-68	65-78.5	122	20	106	1.50	CZ0226B 8020 e012G
	G41BG	G1/2"	6-8.5	8-13.5	81	15	32	0.85	CZ0226B 2015 e041G
	G42BG	G3/4"	8-12.5	11.5-16	81	15	32	0.85	CZ0226B 2515 e042G
	G43BG	G3/4"	9-12.5	15-21	81	15	37	0.9	CZ0226B 2515 e043G
	G44BG	G1"	12-19	20.5-27.5	90	15	44	1.25	CZ0226B 3215 e044G
	G45BG	G1 1/4"	18.5-25	26-34	96	16	53	1.40	CZ0226B 4016 e045G
	G46BG	G1 1/2"	25-31.5	31-40.5	96	16	62	1.40	CZ0226B 5016 e046G
	G47BG	G1 1/2"	30.5-38	36.5-46.5	100	16	67	1.40	CZ0226B 5016 e047G
	G48BG	G2"	35.5-42.5	43-53	113	19	81	1.40	CZ0226B 6319 e048G
	G49BG	G2 1/2"	40-50	49-59.5	113	19	86	1.50	CZ0226B 7519 e049G
	G50BG	G2 1/2"	47-56	58-66	120	20	92	1.50	CZ0226B 7520 e050G
	G51BG	G3"	53-62	60.5-72	120	20	99	1.50	CZ0226B 8020 e051G
	G52BG	G3"	59-68	65-78.5	122	20	106	1.50	CZ0226B 8020 e052G
	G71BG	NPT1/2"	6-8.5	8-13.5	81	15	32	0.85	CZ0226B 2015 e071G
	G72BG	NPT3/4"	8-12.5	11.5-16	81	15	32	0.85	CZ0226B 2515 e072G
	G73BG	NPT3/4"	9-12.5	15-21	81	15	37	0.9	CZ0226B 2515 e073G
	G74BG	NPT1"	12-19	20.5-27.5	90	15	44	1.25	CZ0226B 3215 e074G
	G75BG	NPT1 1/4"	18.5-25	26-34	96	16	53	1.40	CZ0226B 4016 e075G
	G76BG	NPT1 1/2"	25-31.5	31-40.5	96	16	62	1.40	CZ0226B 5016 e076G
	G77BG	NPT1 1/2"	30.5-38	36.5-46.5	100	16	67	1.40	CZ0226B 5016 e077G
	G78BG	NPT2"	35.5-42.5	43-53	113	19	81	1.40	CZ0226B 6319 e078G
G79BG	NPT2 1/2"	40-50	49-59.5	113	19	86	1.50	CZ0226B 7519 e079G	
G80BG	NPT2 1/2"	47-56	58-66	120	20	92	1.50	CZ0226B 7520 e080G	
G81BG	NPT3"	53-62	60.5-72	120	20	99	1.50	CZ0226B 8020 e081G	
G82BG	NPT3"	59-68	65-78.5	122	20	106	1.50	CZ0226B 8020 e082G	

● 外形尺寸和剖视图 Outline dimensions and cutaway view:



- |        |                |        |                 |          |                 |
|--------|----------------|--------|-----------------|----------|-----------------|
| ① 入口接体 | Entry body     | ④ 中接套  | Middle sleeve   | ⑦ 活动圈    | Active ring     |
| ② 密封垫圈 | Sealing washer | ⑤ 压紧螺母 | Compression nut | ⑧ 铠装电缆   | Armoured cable  |
| ③ 罩圈   | Hood ring      | ⑥ 密封圈  | Sealing ring    | ⑨ 锥度压紧螺母 | Taper gland nut |