

主要数据 Main technical data:

认证 Certification | 防爆标志 Ex mark | 符合标准 Meet the standard

| | | |
|-----------------|--------------------|----------------|
| China (PCEC Ex) | Ex emb II | GB3836 GB12476 |
| IECEX | 认证中 Under approval | IEC60079 |
| ATEX | 认证中 Under approval | EN60079 |

适用范围: 用于 1 区和 2 区

 使用环境温度: $-40^{\circ}\text{C} \leq \text{Ta} \leq 60^{\circ}\text{C}$

电表机构: 电磁式

精度: 1.5 级

 接线端子: $2 \times 2.5\text{mm}^2$

 板前导轨型安装: 导轨 $\text{TS}35 \times 7.5$ 或螺钉固定

板后型安装: 在 1-6mm 面板上

Intended use: Can be used in zone 1 and zone 2

 Ambient temperature use: $-40^{\circ}\text{C} \leq \text{Ta} \leq 60^{\circ}\text{C}$

Ammeter framework: Electromagnetic


Accuracy class: 1.5

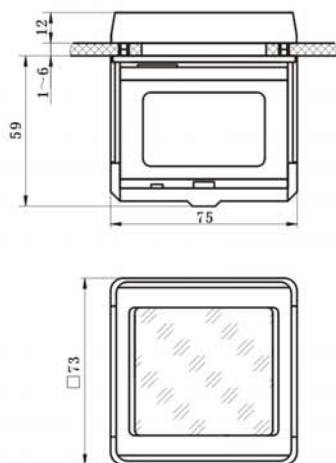
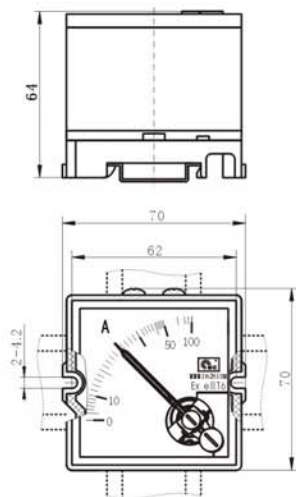
 Terminals: $2 \times 2.5\text{mm}^2$

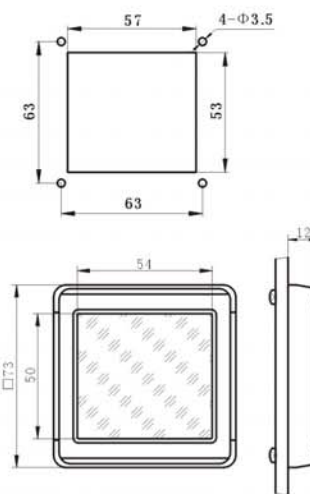
 Board front mounting rail type mounting: May be held on mounting rails $\text{TS}35 \times 7.5$ or with screws

Board back type mounting: On 1-6mm panel


订购规格 Order specifications:

| 表框 Calotte | 型式 Type | 规格(AC) Specification | 订购号(编码) Order No.(Code) |
|--|------------------|--|---|
|  | 电流表 Ammeter | 0-20/40mA 4-20/40mA | M□mA 11 M□mA 12 |
| | 电压表 Voltmeter | 0-25V 0-40V 0-150V 0-250V 0-500V | M□V 25 M□V 40 M□V 150 M□V 250 M□V 500 |
| 6 — 板前导轨型 Board front mounting rail type 7 — 板后型 Board back type | | | |

外形尺寸 Outline dimensions:

CZ0205 板后型防爆电表模块
 CZ0205 Board back type explosion-proof ammeter module

CZ0205 板前导轨型防爆电表模块
 CZ0205 Board front mounting rail type explosion-proof ammeter module

开孔尺寸: Aperture dimensions

EXM 表框
 EXM Calotte