

主要数据 Main technical data:

认证 Certification | 防爆标志 Ex mark | 符合标准 Meet the standard

| | | |
|------------------------|---|----------------|
| China (PCEC Ex) | Ex de II C T5/T6 Gb (壁式插座、插头、耦式插座 Wall type socket, plug, coupler type socket) Ex de II C Gb (面板式插座 Panel type socket) | GB3836 GB12476 |
| IECEX | Ex de II C T5/T6 Gb Ex tD A21 T 95°C/80°C Ta < 55°C/45°C (壁式插座、插头、耦式插座 Wall type socket, plug, coupler type socket) Ex de II C Gb Ex tD A21 (面板式插座 Panel type socket) | IEC60079 |
| ATEX | ⊕ II 2GD Ex de II C T5/T6 Gb Ex tD A21 T 95°C/80°C Ta < 55°C/45°C (壁式插座、插头、耦式插座 Wall type socket, plug, coupler type socket) ⊕ II 2GD Ex de II C Gb Ex tD A21 (面板式插座 Panel type socket) | EN60079 |

适用范围: 用于 1 区和 2 区, 用于 21 区和 22 区

 使用环境温度: $-40^{\circ}\text{C} \leq \text{Ta} < 55^{\circ}\text{C}$

防护等级: IP66

频率: 50/60Hz

额定电压: 可至 250V ~

额定电流: 最大 16A

开关容量: AC3 可至 250V / 16A

 符合: **CE**

 电缆入口: 壁式插座 (标配) $1 \times \text{M}25 \ \Phi 8 \sim 17\text{mm}$

其它形式详见 C/10 页

 插头: 电缆外径 $\Phi 5 \sim 18.5\text{mm}$

 耦式插座: 电缆外径 $\Phi 5 \sim 18.5\text{mm}$

Intended use: Can be used in zone 1 and zone 2

Can be used in zone 21 and zone 22

 Ambient temperature use: $-40^{\circ}\text{C} \leq \text{Ta} < 55^{\circ}\text{C}$

Degree of protection: IP66

Frequency: 50/60Hz

Rated voltage: Up to 250V ~

Rated current: maximum 16A

Switch capacity: AC3 up to 250V/16A

 Conformity to: **CE**

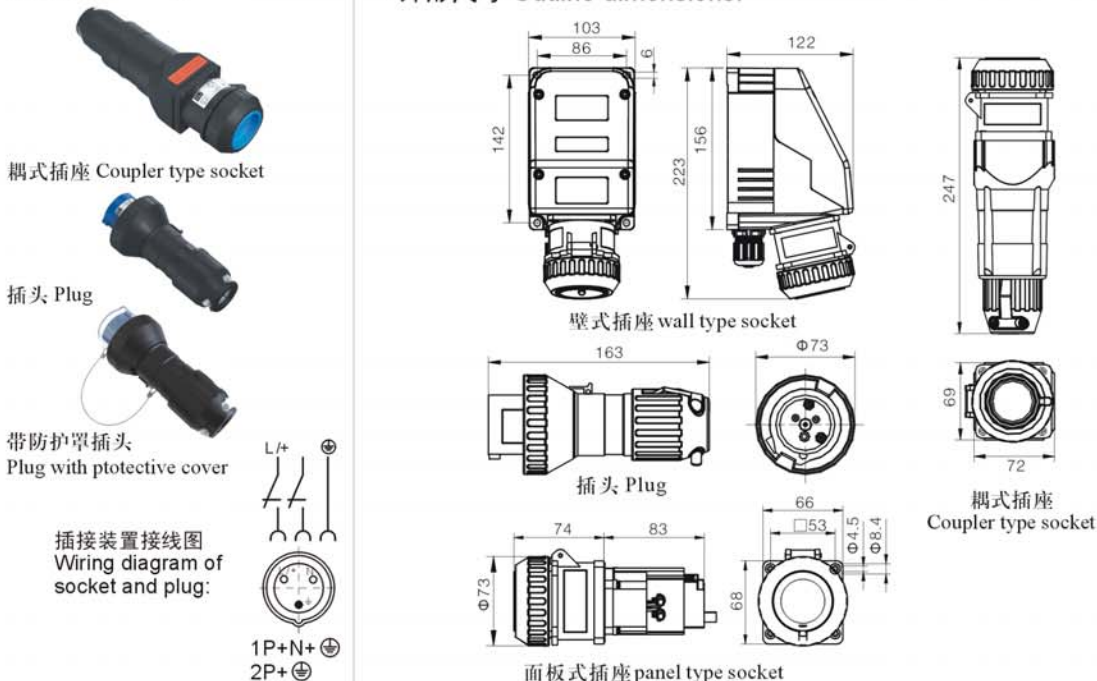
 Cable entry: Wall type socket (Standard configure) $1 \times \text{M}25 \ \Phi 8 \sim 17\text{mm}$

See page C/10 for other forms

 Plug: Cable outside diameter $\Phi 5 \sim 18.5\text{mm}$

 Coupler type socket: Cable outside diameter $\Phi 5 \sim 18.5\text{mm}$
订购规格 Order specifications:
16A-3 极 16A-3 Poles

| 图样 Illustration | 时钟 h 和电压 Clock h and voltage | 型式 Type | 重量 Weight | 订购号 Order No. |
|--------------------|--|-----------------------------------|--------------|-------------------------|
| | 110-130V 1P + N + PE 2P + PE | 壁式插座 Wall type socket | 1.2kg | CZ0251 4304 0001 |
| | | 面板式插座 Panel type socket | 0.4kg | CZ0251 8304 0001 |
| | | 耦式插座 Coupler type socket | 0.7kg | CZ0251 3304 0001 |
| | | 插头 Plug | 0.35kg | CZ0251 7304 0001 |
| | | 带防护罩插头 Plug with protective cover | 0.37kg | CZ0251 7304 8034 |
| | 200-250V 1P + N + PE 2P + PE | 壁式插座 Wall type socket | 1.2kg | CZ0251 4306 0001 |
| | | 面板式插座 Panel type socket | 0.4kg | CZ0251 8306 0001 |
| | | 耦式插座 Coupler type socket | 0.7kg | CZ0251 3306 0001 |
| | | 插头 Plug | 0.35kg | CZ0251 7306 0001 |
| | | 带防护罩插头 Plug with protective cover | 0.37kg | CZ0251 7306 8034 |

外形尺寸 Outline dimensions:


● 附件: 塑料安装板和防雨罩详见 C/19 页。Accessories: For plastic mounting board and rain-proof guard see page C/19.